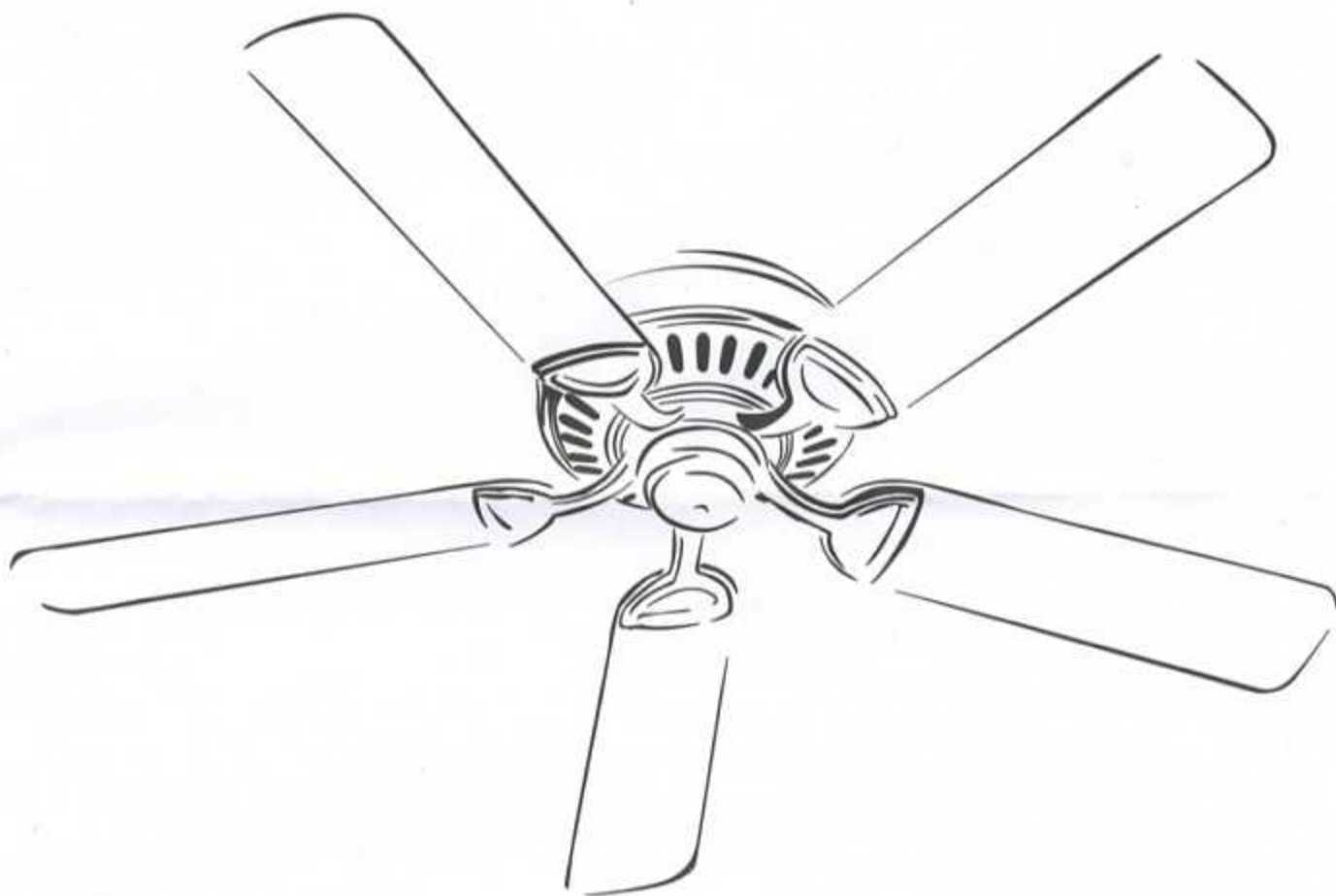


THE MEDALLION CEILING FAN INSTALLATION INSTRUCTIONS

Please read and save these instructions



**These instructions are to be used in
the installation of the following
QUORUM INTERNATIONAL fans...**

The Medallion

QUORUM
INTERNATIONAL

© 2003 Quorum International. All Rights Reserved.

QUORUM'S UNIQUE LIMITED LIFETIME WARRANTY

This warranty gives you specific legal rights, and you may also have other rights which vary from state to state.

WHAT IS COVERED -

Except as specified below, the manufacturer of this product warrants it to be free of all defects in workmanship and material.

WHAT IS NOT COVERED BY THIS WARRANTY -

1. All costs of removal or reinstallation of the fan.
2. Damage resulting from failure to follow instructions contained herein.
3. Damage occurring during shipment of the product (claims must be presented to the carrier).
4. Damage resulting from accident, misuse, abuse, or neglect.
5. Damage resulting from the application of any exterior coating, or by the addition of any unapproved accessories.
6. Damage resulting from repair or attempted repair by anyone other than the manufacturer.
7. Damage resulting from causes other than product defects, including lack of technical skill, competence, or experience of the user.

8. Glass or acrylic components or accessories.

9. Minor occurrences of 'wobble' are accepted as normal and should not necessarily be considered a defect.

WHO MAY ENFORCE WARRANTY -

This warranty may be enforced only by the original purchaser. The end user must possess a dated proof of purchase from an authorized Quorum dealer to establish a warranty claim.

LENGTH OF THE WARRANTY -

1. For the fan motor - for the lifetime of the original purchaser.
2. For everything else, except blades and finish - one year from the date of purchase.
3. For fan blades and finish - 90 days from the date of purchase.

WHAT WE WILL PAY FOR -

We agree to correct defects outlined in the warranty without charge, or at our option replace the fan with an equivalent or

superior product if the defective unit is returned prepaid to us.

TO GET WARRANTY SERVICE -

To obtain warranty service, the product must be returned prepaid to Quorum. (This warranty is not enforceable outside the United States.) Details regarding return shipment are explained elsewhere in this manual. Whenever warranty service is required, *you must present a copy of the original dated sales receipt as proof of coverage.*

There is no other express warranty.

Quorum hereby disclaims any and all implied warranties, including but not limited to those of merchantability or fitness for a particular purpose to the extent permitted by law. Quorum shall not be liable for incidental, consequential, or special damages arising out of or in connection with the product use or performance except as may otherwise be accorded by law. The duration of any implied warranty which cannot be disclaimed is limited to the periods specified above in the express warranty.

EXTENDED WARRANTY SERVICE

An extended warranty which applies to all parts except the fan motor (which is covered by the lifetime warranty) is available. This coverage allows free parts replacement for any such components for the lifetime of the original owner of the fan. Indicate your desire for this added coverage on the warranty reply card and mail, along with \$11.50 to Quorum. We will acknowledge your registration for this coverage.

WARRANTY SERVICE

1. Most problems can be handled by our customer service agents over the telephone. Customers seeking warranty repair or replacement for any fan or component are encouraged to call us for assistance. All returns must be issued a Return Goods Authorization number (RGA) prior to returning the defective unit or part. Call (817) 626-5483 - Monday thru Friday 8:00 a.m.-5:00 p.m. CST to obtain a RGA number.
2. Arriving shipments will be refused if they do not bear a valid RGA number on the outside packaging.
3. A dated proof of purchase must accompany any fan or component clearly indicating the name of the original purchaser.
4. To avoid damage in transit, the product should be returned in its original box and packaging. Quorum will not bear responsibility for any shipping damage.
5. Any return of a fan or component must be shipped freight and insurance prepaid.

FOR YOUR RECORDS

Purchased From _____
City _____ State _____
Fan Model No. _____
Date Purchased _____

Complete and mail the enclosed warranty card within 10 days to ensure your warranty is registered.

If you have any questions regarding the warranty, or the procedures for obtaining service, please call us at (817) 626-5483 - Monday thru Friday 8:00 a.m.-5:00 p.m. CST.

1. SAFETY RULES

Model #51306-XX	13.2 lbs.
#51425-XX	13.6 lbs.
#51525-XX	15.8 lbs.

1. To avoid possible electric shock, **turn off the electricity** at the main fuse box or circuit panel before you begin the fan installation or before servicing the fan or installing accessories.
2. Read all instructions and safety information carefully before installing your fan and **save these instructions**.
3. Make sure all electrical connections comply with local codes or ordinances as well as the National Electrical Code. If you are unfamiliar with electric wiring, please use a qualified and licensed electrician.
4. Make sure you have a location selected for your fan which allows clear space for the blades to rotate, and at least seven (7) feet of clearance between the floor and the fan blade tips.
5. The outlet box and ceiling support joist used must be securely mounted, and **capable of supporting at least 50 pounds**. To reduce the risk of fire, electric shock, or personal injury, use only an outlet box clearly labeled "**Acceptable For Fan Support**".
6. To reduce the risk of personal injury use only approved hanging brackets and screws supplied with this fan for mounting to the outlet box.
7. After installation is complete, check that all connections are absolutely secure.
8. Do not insert anything into the fan blades while they are rotating.
9. Do not operate the reverse switch until the fan has come to a complete stop.

10. Do not attempt to control the operation of the fan (or an optional light kit) from any wall control that is not approved by Quorum for use with its fans. Do not use solid state wall controls. The use of an unapproved control voids the fan's warranty.

TOOLS REQUIRED FOR INSTALLATION

Phillips Screwdriver
Wire Cutters
Electrical Tape
Step Ladder

2. UNPACKING YOUR FAN

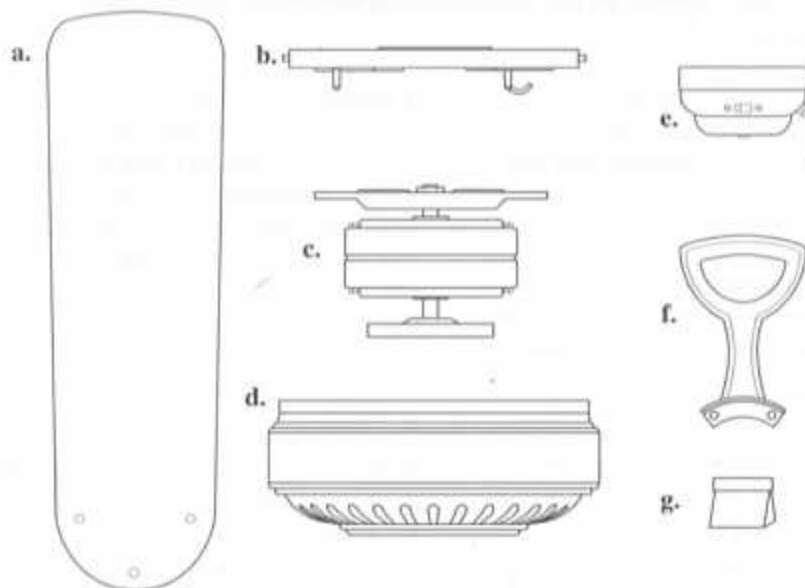
Unpack your fan and check the contents. Do not discard the carton. If warranty replacement or repair is ever necessary the fan should be returned in original packaging. Remove all parts and hardware. Do not lay motor housing on its side – the decorative casing may shift. Check all visible screws, bolts and nuts for tightness. Examine all parts. You should have the following:

NOTE:

Some Quorum fan models will have slightly different parts than what is shown here depending upon the design you have chosen. Basic installation procedures are similar for all models.

1. Set of blades (a)
2. Hanger/mounting plate (b)
3. Motor assembly (c)
4. Motor housing (d)
5. Switch cup (e)
6. Set of blade arms (f)
7. Parts bags (g) containing:
 - Blade attachment hardware (screws with washer attached for each blade)
 - Bracket attachment hardware
 - Mounting hardware (wire nuts, 2" wood screws)

If you find that parts are missing, contact your dealer for replacement, or call Quorum directly and we will mail replacements to you immediately.



3. MOUNTING OPTIONS

WARNING - To reduce the risk of shock, fire or injury, mount the fan ONLY to an outlet marked "Acceptable for Fan Support".

1. Disconnect the power by removing fuses or turning off circuit breakers.
2. If there is an existing outlet box, ensure it is clearly marked "Suitable For Fan Support". If it is not so marked, it must be replaced with an approved one.
3. Secure the outlet box (or make sure the existing box is secured) directly to the building structure. Use appropriate fasteners and building materials.

4. Figures 1 and 2 are examples of different ways to mount the outlet box in different situations.

5. To hang the fan in locations where no ceiling joist is available, a hanger support bar may be required (Fig. 3). Quorum distributes approved hanger support bars and outlet boxes.

Fig. 1

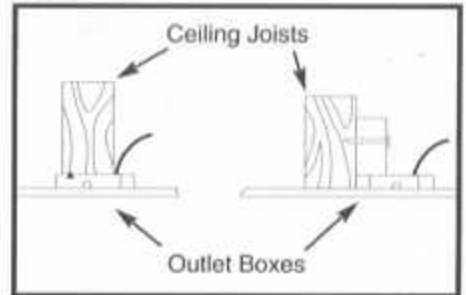


Fig. 2

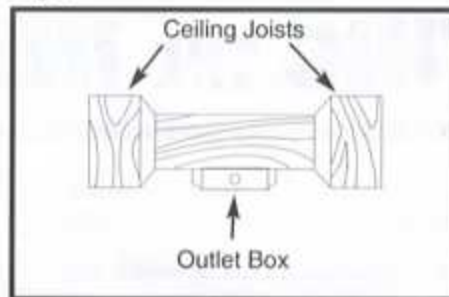
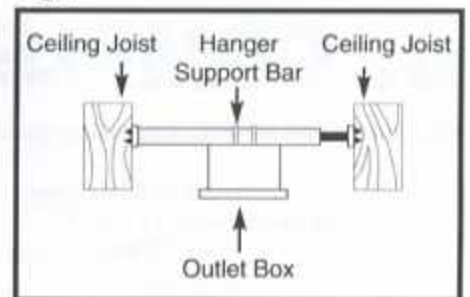


Fig. 3



4. HANGING YOUR FAN

WARNING - Turn off the power!

DO NOT fasten the blades to the fan until it is assembled and hanging from the ceiling. To do so now will likely bend the blade arms and almost certainly cause wobble.

1. Secure the mounting plate to the outlet box (Fig. 4) using the steel machine screws or mount it directly to the ceiling joist using the long wood screws supplied with the fan.

2. Pull the building wires through the center hole in the mounting plate.

3. (Fig. 5) Lift the fan motor, without the blades, and engage the hole of motor plate with the hook on the mounting plate. Let the motor hang temporarily while safely making the wiring connections.

Fig. 4

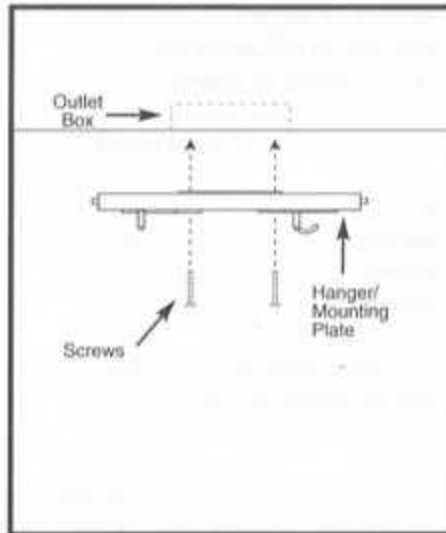
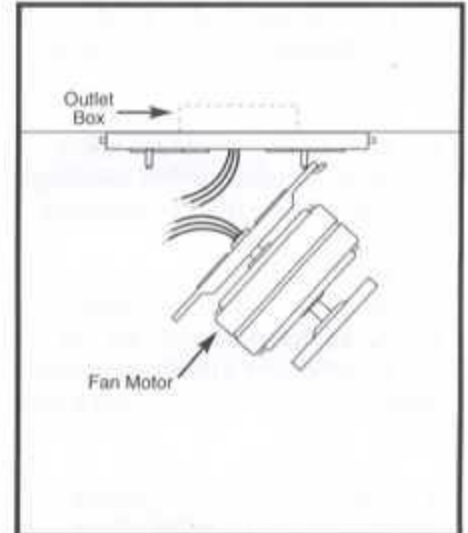


Fig. 5



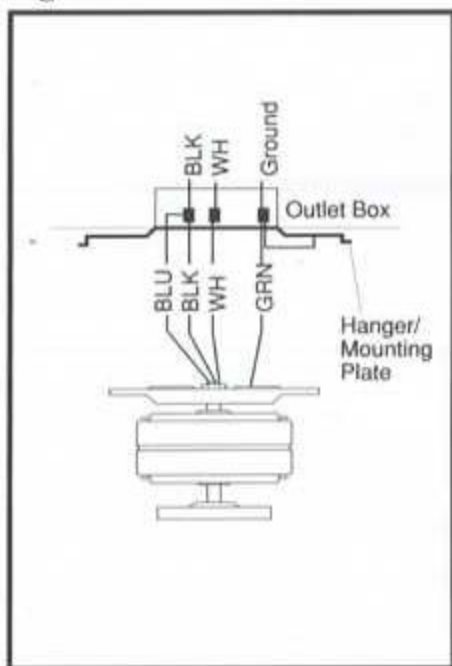
5. ELECTRICAL CONNECTIONS

REMEMBER - Turn off the power!

Use the wires nuts supplied with your fan when making connections. Secure the connectors with electrical tape and make sure there are no loose connections or wire strands.

1. (Fig. 6) Spread the wires apart so that the black and blue wires from the fan are on one side of the mounting plate, and the white wire from the fan is on the other side.
2. Connect the green ground wires from the mounting plate and the motor plate to the copper building ground wire.
3. Connect the black building supply wire to the fan supply wires (black and blue). Connect the white building neutral wire to the white fan neutral wire.

Fig. 6

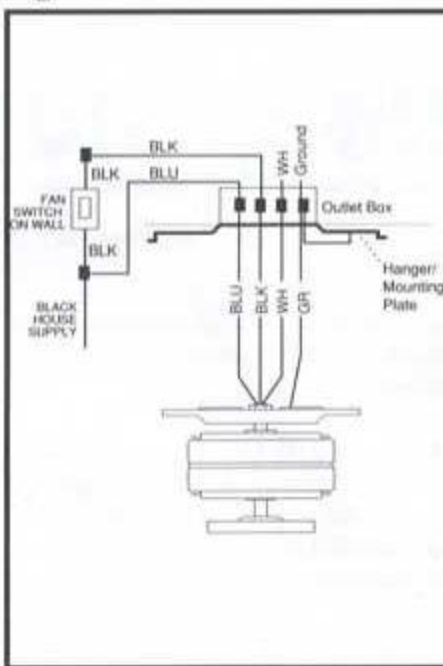


4. Wiring connections for optional wall control are shown in Fig. 7 and 8. Fig. 7 shows how to connect a wall fan speed control. This controls only the fan. To separately control the light, connect the blue wire from the fan to the black house supply wire before it goes into the wall control. This is a difficult procedure and we recommend that you have a qualified electrician make the connection for you.

5. Turn the wire nut connectors upwards and push them carefully up into the outlet box through the center hole in the mounting plate.

6. The mounting plate has 4 sets of nuts, metal washers. Remove all of these and set aside the nuts and metal washers. Carefully lift the motor and

Fig. 7



line up the holes of the motor plate's rubber isolators with the holes in the mounting plate. Attach the motor plate to the mounting plate with the nuts and metal washers (Fig. 9).

Use ONLY wall controls approved by Quorum. Use of unapproved wall controls will cause unacceptable humming noise and voids the fan warranty.

Fig. 8

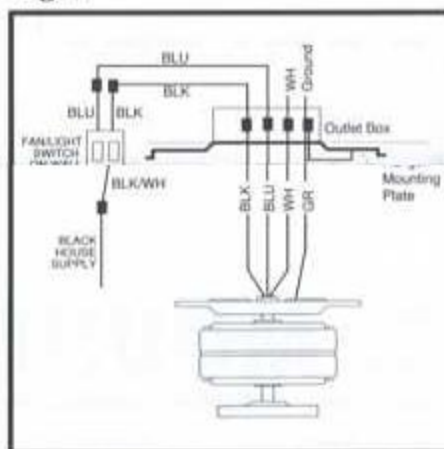
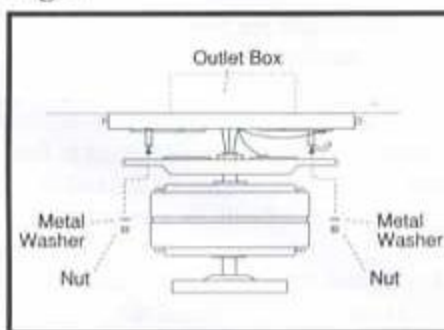


Fig. 9



6. COMPLETING THE INSTALLATION

1. Make sure the wiring is safely inside the outlet box as instructed in Step 5 - ELECTRICAL CONNECTIONS.

2. (Fig. 10) Carefully lift the motor housing cover up into position under the mounting plate. Align the four tabs around the hanger/mounting plate with the grooves in the motor housing. Turn the motor housing until the tabs click into place.

3. Using the supplied blade arm screws, attach the blades to the blade arms (Fig. 11). In some cases the metal washer is permanently fixed to the screw head. Ensure all three screws are used for each blade.

4. Fasten each completed blade assembly to the bottom of the motor using the motor screws provided (Fig. 11). **Do not bend the blade arms when installing the blades to the fan.**

5. Attach the switch cup by lining up the color coded edges of the square cannon plug from the motor housing to the one from the switch cup and connect

together (Fig. 12). Attach the switch cup to the flange with the screws provided.

6. A certain amount of wobble may be considered normal, especially if the fan has a light kit attached. If wobble is unacceptable, a balancing kit is supplied with all 52" Quorum International fans. Follow the instructions supplied with the balancing kit. Balancing Kits can be obtained from your local dealer or Quorum International.

7. Turn on the fan and check the speed switch - 3 speeds and stop. Check the reverse slide switch. **NOTE:** Wait for the fan to stop rotating before changing from forward to reverse.

Fig. 10



Fig. 11

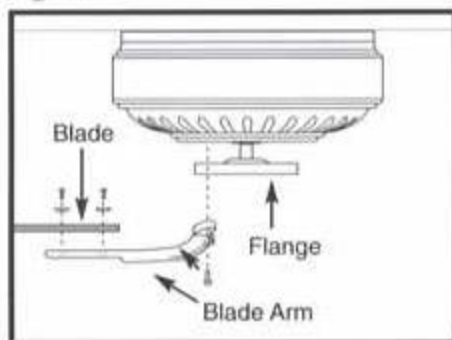
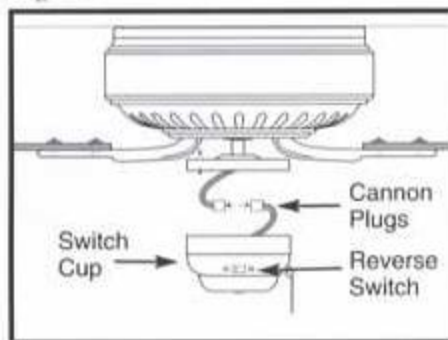


Fig. 12



7. FAN OPERATION AND CARE

1. A ceiling fan is an environmentally smart choice to cool as well as help to warm your home or office. You should see a reduction in both heating and cooling costs by regular use of your fan.

Do not hesitate to use your fan during summer and winter months. In summer, (Fig 13) using the reverse switch, adjust the fan's direction so cool air is blown down, producing a cooling breeze. In winter, (Fig 14) reverse the fan so that an upward airflow will push warm air off the ceiling and circulate it down into the living area. In winter months, use the fan at a lower speed than summer.

2. Periodically check tightness of all screws securing the blades to the blade arm attachment points. A clicking or rattling noise is a sure indication of loosening screws. Since screws will invariably work loose over time, at least once a year, tighten all the screws attaching blades to blade arms. **Do not bend blade arms when cleaning or servicing the fan.**

3. If a light kit is attached to the fan, likewise check that all screws attaching glass to metal fitters are finger tight. Do not use a screwdriver or pliers to tighten glass screws.

4. Clean your fan periodically using only a cloth dampened with a mild detergent solution for all hardware - never use solvents. The finish plating is lacquered to prevent tarnishing. Use a lint-free cloth with clean water to clean blades.

5. You will never need to oil or lubricate your fan. Its permanently sealed bearings will provide trouble-free, silent operation for many years.

6. If repairs or servicing are ever required, to avoid possible electric shock, turn off the electricity at the main fuse or circuit panel before you begin.

7. If an optional fan speed wall control is used with your fan - using the pull chain, put the fan speed on HIGH and leave at that setting. The fan's speed can be adjusted from the wall control.

Fig. 13



Fig. 14



8. TROUBLESHOOTING

FAN WILL NOT START

1. Check that the electricity has been turned on at the circuit breaker which had probably been turned off during installation.

2. Turn off the electricity. Check all connections in the wiring of the fan at the ceiling and make sure it follows the wiring instructions outlined in this manual.

NOISE

Note: Always allow a day or two "run-in" time for any new fan at medium or high speed. When attempting to diagnose noise, listen carefully from several sides to try and isolate the location of the noise (blades, upper end, motor, light kit, etc.).

1. Tighten all screws attaching blades to blade arms. Remember to tighten these screws at least once a year because they may loosen slowly over time and cause a clicking noise.

2. Turn off the power. Loosen the canopy and check that the wiring and/or wire nut connectors are not resting against the canopy, possibly vibrating while the fan is on.

3. Use of a standard light rheostat or an unapproved fan wall control to control the fan speed will always cause an annoying "hum". Many fan motors do not work quietly with solid state variable speed controls.

4. Check that the rubber gasket on the mounting bracket has been installed if called for in the installation instructions.

5. Check that the canopy is not touching the ceiling.

6. Check that all screws on the motor housing are tight.

FAN TURNS, BUT DOES NOT MOVE MUCH AIR

1. The fan may be running in reverse.

2. The distance from the ceiling to the blades may be too small. At least 8" are recommended.

3. The room may contain items which obstruct the air flow.

4. The fan may be too small for the size of the room.

EXCESSIVE WOBBLE

Note: A small amount of wobble is considered acceptable and should not be considered a defect.

1. Make certain all blades are tightly attached to each blades' respective blade arm.

REPLACEMENT PARTS AVAILABLE

A full range of genuine replacement spare parts are available at reasonable cost directly from Quorum International. Please call us at (817) 626-5483, Monday through Friday from 8:00 A.M. to 5:00 P.M. CST.